

# SJIII 3215/19

## ELECTRIC SCISSOR LIFTS



### STANDARD FEATURES

- Drivable at full height
- Variable speed, front two wheel hydraulic drive
- 90° steering (zero inside turning radius)
- Dual holding brakes
- Proportional controls for drive & lift functions
- 3' (0.91 m) Roll out extension deck
- 24V DC power source
- Low voltage battery protection
- 30% Gradeability
- Solid rubber, non-marking tires
- Pothole protection system
- 110V AC outlet on platform with GFI
- 28 mph wind rating (12.5 m/s)
- Tilt alarm with drive & lift cut-out
- All motion audible alarm
- Lanyard attachment points
- Operator horn
- Forklift pockets and tie down/lift lugs
- Relay based control system
- Color coded and numbered wiring system
- Telematics ready

### ACCESSORIES AND OPTIONS

- Flashing light
- Dual flashing lights
- Extended control box cable
- Pipe rack
- Drywall carrier (3219)
- 800W AC inverter
- 250 Ah batteries (cannot be combined with EE rating package)
- AGM Batteries
- EE rating package
- DC motor controller
- Hinged railing system
- Half height spring hinged gate
- Full height spring hinged gate\*
- Non destructive testing
- Warranty Options (3 year or 5 year plans available)

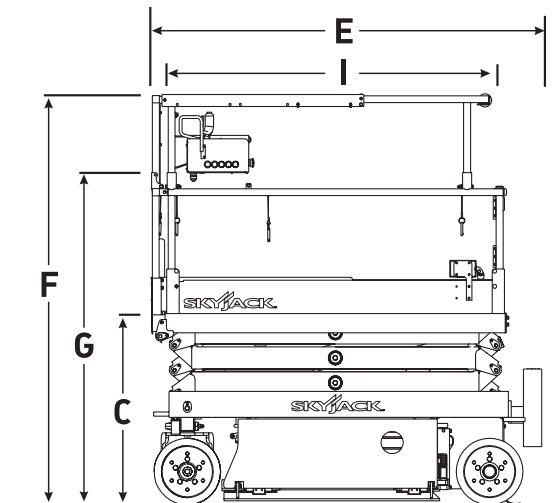
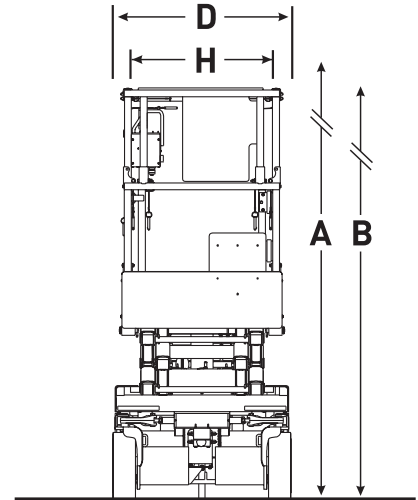
\* Not available with hinged railing system.

† Standard lead times may be increased when optional equipment is added, consult factory.

‡ Capacities, and machine weights may differ when options are added.

# SJIII 3215/19 ELECTRIC SCISSOR LIFTS

| Dimensions                                  | SJIII 3215           | SJIII 3219           |
|---|----------------------|----------------------|
| <b>A</b> Work Height                        | 21' (6.40 m)         | 25' (7.62 m)         |
| <b>B</b> Raised Platform Height             | 15' (4.57 m)         | 19' (5.79 m)         |
| <b>C</b> Lowered Platform Height            | 34.5" (0.88 m)       | 39" (0.99 m)         |
| <b>D</b> Overall Width                      | 32" (0.81 m)         | 32" (0.81 m)         |
| <b>E</b> Overall Length                     | 70" (1.78 m)         | 70" (1.78 m)         |
| <b>F</b> Stowed Height (Rails Up)           | 74" (1.88 m)         | 78.5" (1.99 m)       |
| <b>G</b> Stowed Height (Rails Down)         | OPT 60.1" (1.53 m)   | OPT 64.5" (1.64 m)   |
| <b>H</b> Platform Width (Inside Dimension)  | 26" (0.66 m)         | 26" (0.66 m)         |
| <b>I</b> Platform Length (Inside Dimension) | 64" (1.63 m)         | 64" (1.63 m)         |
| Specifications                              | SJIII 3215           | SJIII 3219           |
| Extension Deck (Roll Out)                   | 3' (0.91 m)          | 3' (0.91 m)          |
| Ground Clearance (Stowed)                   | 2.375" (6.03 cm)     | 2.375" (6.03 cm)     |
| Ground Clearance (Raised)                   | 0.7" (1.78 cm)       | 0.7" (1.78 cm)       |
| Wheelbase                                   | 55" (1.40 m)         | 55" (1.40 m)         |
| Weight                                      | 2,400 lbs (1,089 kg) | 2,580 lbs (1,170 kg) |
| Gradeability                                | 30%                  | 30%                  |
| Turning Radius (Inside)                     | 0                    | 0                    |
| Turning Radius (Outside)                    | 66" (1.68 m)         | 66" (1.68 m)         |
| Lift Time (With Rated Load)                 | 23 sec               | 25 sec               |
| Lower time (With Rated Load)                | 24 sec               | 29 sec               |
| Drive Speed (Stowed)                        | 2 mph (3.2 km/h)     | 2 mph (3.2 km/h)     |
| Drive Speed (Raised)                        | 0.7 mph (1.1 km/h)   | 0.7 mph (1.1 km/h)   |
| Maximum Drive Height                        | Full Height          | Full Height          |
| Capacity (Overall)                          | 600 lbs (272 kg)     | 550 lbs (249 kg)     |
| Distributed Capacity (Main Platform)        | 350 lbs (159 kg)     | 300 lbs (136 kg)     |
| Distributed Capacity (Extension Deck)       | 250 lbs (113 kg)     | 250 lbs (113 kg)     |
| Local Floor Load (With Rated Load)          | 110 psi (759 kPa)    | 110 psi (759 kPa)    |
| Overall Floor Load (With Rated Load)        | 200 psf (10 kPa)     | 201 psf (10 kPa)     |
| Maximum # of Persons                        | 2                    | 2                    |
| Wind Rating                                 | 28 mph (12.5 m/s)    | 28 mph (12.5 m/s)    |
| Tire Type                                   | Solid, N/M           | Solid, N/M           |
| Tire Size                                   | 12 x 4 x 8           | 12 x 4 x 8           |



## Skyjack Head Office

55 Campbell Rd. Guelph, ON Canada N1H 1B9  
 Sales Inquiries: 1-877-755-4387 (1-877-SJLIFTS)  
 Main Switchboard: 1-800-265-2738  
 Phone: 519-837-0888  
 Fax: 519-837-8104  
 Email: skyjack@skyjack.com  
 www.skyjack.com

This brochure is for illustrative purpose only and based on the latest information at the time of printing. Skyjack Inc. reserves the right to make changes at any time, without notice, to specifications, standard and optional equipment. Consult the Operating Maintenance and Parts Manuals for proper procedures. Work platforms have been tested to comply with ANSI and CSA standards as interpreted by Skyjack Inc.

