



842-G REACH



- 8,000 LBS CAPACITY
- 42 FOOT LIFT HEIGHT
- 360 DEGREE OPERATOR VISIBILITY
- ADVANCED LOAD SENSE HYDRAULIC SYSTEM
- ROPS, FOPS ERGONOMIC OPERATORS MODULE
- LOW PROFILE DESIGN

- HIGH STRENGTH BOOM ASSEMBLY
- WELDED BOX FRAME STRUCTURE
- STABLE, RESPONSIVE, PERFORMANCE
- NORTH AMERICAN MANUFACTURED

LOAD LIFTER FEATURES DO WORK FOR YOU

SPECIFICATIONS

CAPACITY

3629Kg (8000 lbs)

DIESEL ENGINE

Make	Perkins 1104C-44T
Displacement	4.4L (269 cu.in.)
Gross H.P.	74.5 kW (99 hp)
Maximum Torque	412 Nm (304 ft.-lbs)
Rated Speed	2300 RPM

TRANSMISSION

Type	Dana T12,000 Series
Speeds	1st – 3.7mph (5.9km/h) 2nd – 7.1 mph (11.4 km/h) 3rd – 18 mph (29.0 km/h)

AXLES

Dana Outboard Planetary Drive System

DRIVE SYSTEM

Full Time 4 Wheel Drive

STEERING

2 Wheel, 4 Wheel & Crab

BRAKES

Full Power Oil Immersed Disc Brakes

TIRES

13.00-24 12 ply
Lug Tread Tubeless

HYDRAULIC SYSTEM

Pump	Load Sense System
Pump Flow	Variable Displacement Piston Pump
Steering	Full Load Sense System
Filtration	10 Micron Filter

ELECTRICAL SYSTEM

12 Volt Negative Ground
65 Amp Alternator
600 cca Battery

FLUID CAPACITIES

Cooling System	11.5 Liters (12.2 Qts.)
Engine Oil	6.8 Liters (7.2 Qts.)
Fuel Tank	134 Liters (35 Gal)
Hydraulic Tank	169 Liters (44 Gal)
Transmission	12.9 Liters (3.4 Gal)
Axle Individual Hub	1.4 Liters (0.37 Gal)
Center Housing Front	6.7 Liters (1.75 Gal)
Center Housing Rear	7.7 Liters (2.0 Gal)

DIMENSIONS

Overall Length (Less Forks)	554 cm (218 in.)
Overall Width	258 cm (101.5 in)
Wheelbase	317.5 cm (125 in)
Height (top of canopy)	226 cm (89 in)
Ground Clearance	40 cm (15.75 in)
Outside Turning Radius	419cm (165 in)

FRAME

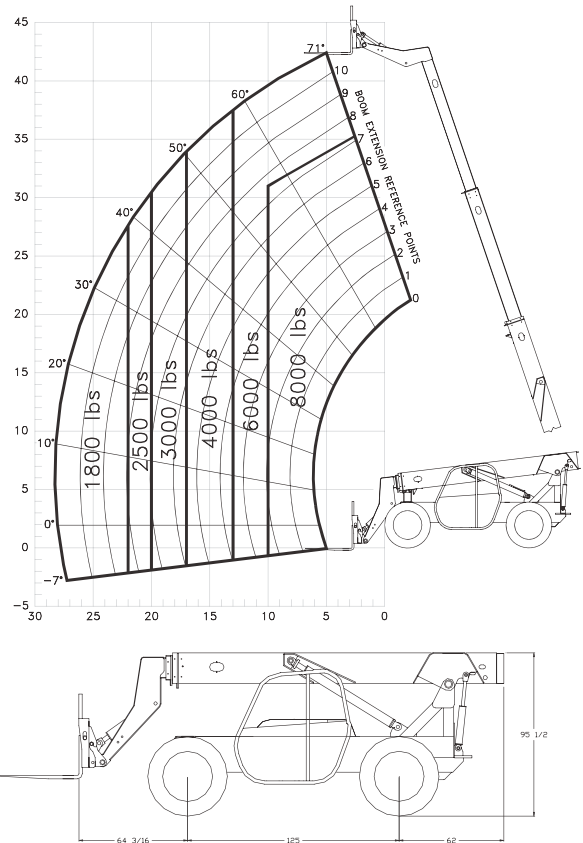
Hydraulic Load Leveler Frame Boom	High Tensile Steel Box Frame Structure 22° Frame Leveling Welded Box Construction, High Strength, Low Alloy Steel
Type	3 Section Slider
Load Bearing Material	Nylatron wear pads
Max. reach (Boom Level)	8.6m (28'2") face of tires to load center
Reach (ground level)	8.5m (27'11")face of tires to load center
Boom extend speed	
Boom retract speed	15.8s
Boom raise	11s
Boom Lower	7.5s
Max reach below grade	86cm (2'10")

CARRIAGE

	121.9cm (48") SHAFT
Tilt Forward	22°
Tilt Back	8°
Forks	5.1cm x 12.7cm x 121.9cm (2"x 5"x 48")
Automatic Self Leveling	Manual Override

SHIPPING WEIGHT

10,660kg (23,500 lbs)



STANDARD EQUIPMENT

- Safety start
- LED instrument display
 - Engine temperature
 - Engine oil pressure
 - Fuel level
 - Coolant temperature
- Backup alarm
- Block heater, 110V
- Single 600 cca battery
- Dry type air cleaner
- Antifreeze -40°C
- Operating lights
- Tool box
- 1300-24 12 ply tubeless tires
- Chain tie downs
- Frame level indicator
- Parking brake
- Adjustable suspension seat
- Seat belt
- Right side mirror
- Overhead canopy
- Reach "Pro-Attach" system
- 48" Masonry carriage

OPTIONAL EQUIPMENT

- All steel cab c/w Front and rear wipers, heater and RHS slider window
- Truss jib
- Utility bucket
- Concrete hopper
- Snow blade
- Side tilting carriage
- Fenders
- Compressor c/w aux outlet
- Various width Carriages
- Defrost fan
- Vandalism protection
- Transmission disconnect
- Air ride seat
- Turn signals
- Matched set padlocks
- Dual 600 cca batteries
- 15.5 x 25 12 Ply Tires
- 440/80R/24 IT520 Tires

This information contained herein is general in nature and not intended for specific application purpose. Load Lifter reserves the right to make changes in specifications, make improvements, or discontinue manufacture at any time without notice or obligation.

LOAD LIFTER MANUFACTURING LTD.

3 Anderson Boulevard, Stouffville, Ontario, Canada, L4A 7X4

Tel. 905-642-9756, Fax. 905-640-1437 www.load-liftermfg.com, info@load-liftermfg.com

