



> Model 27.41 NA

**The flexible
multitalent that
keeps inspiring you.**



Specifications

Model 27.41



Productivity

Working height:	41 ft 4 in	Continuous turntable rotation:	360°
Platform height:	34 ft 9.3 in	Driving speed (transport mode):	0 - 2.5 mph
Horizontal reach:	28 ft 8.5 in	Driving speed (at height):	0 - 1.25 mph
Travel height:	41 ft 4 in	Gradeability:	45% = 25°
Platform capacity:	600 lbs	Automatic bi-leveling:	15° / 15°
Platform rotation:	180°		
Vertical jib rotation:	180°		

Measurements

Machine

Stowed (l x w x h):	14 ft 11.7 in x 5 ft 8.9 in x 6 ft 6.6 in
Tail swing (counterweight in):	7,9 in outside tracks
Tail swing (counterweight out):	2 ft 3.6 in outside tracks
Total mass:	6,500 lbs

Undercarriage

Width stowed:	5 ft 8.8 in
Width extended:	7 ft 2.6 in
Ground clearance tracks folded:	6.9 in
Ground clearance tracks extended:	10.9 in

Platform

Standard - Dimensions (l x w x h):	4 ft 7.1 in x 2 ft 4.3 in x 3 ft 7.3 in
Option - Dimensions (l x w x h):	5 ft 10.7 in x 2 ft 7.5 in x 3 ft 7.3 in
Entry width:	2 ft 1.5 in
Entry height:	3 ft 0.2 in
Step in height:	1 ft 3.7 in

Motor

18,5kW 3 cil. kubota diesel engine



Mechanical

11,36 gal fuel tank capacity (ATD)
Fully proportional controls
Load sensing hydraulic pump
2 speed track motors
Automatic proportional RPM controller

Safety Features

Complies with ANSI A92 / CSA B354
Tilt alarm
LED flashing lights on rear
Overhead safety crush prevention
Integrated weight system in platform
12V emergency lowering pump
Dual top railing on basket
Horn

Options

Standard on NA-model

4x led work lights on main frame
Led flood light under platform
Non-marking rubber tracks (grey)
HY-Link portal communications, online diagnostics
Additional counterweight - 507 lbs

Standard Hyrax colors

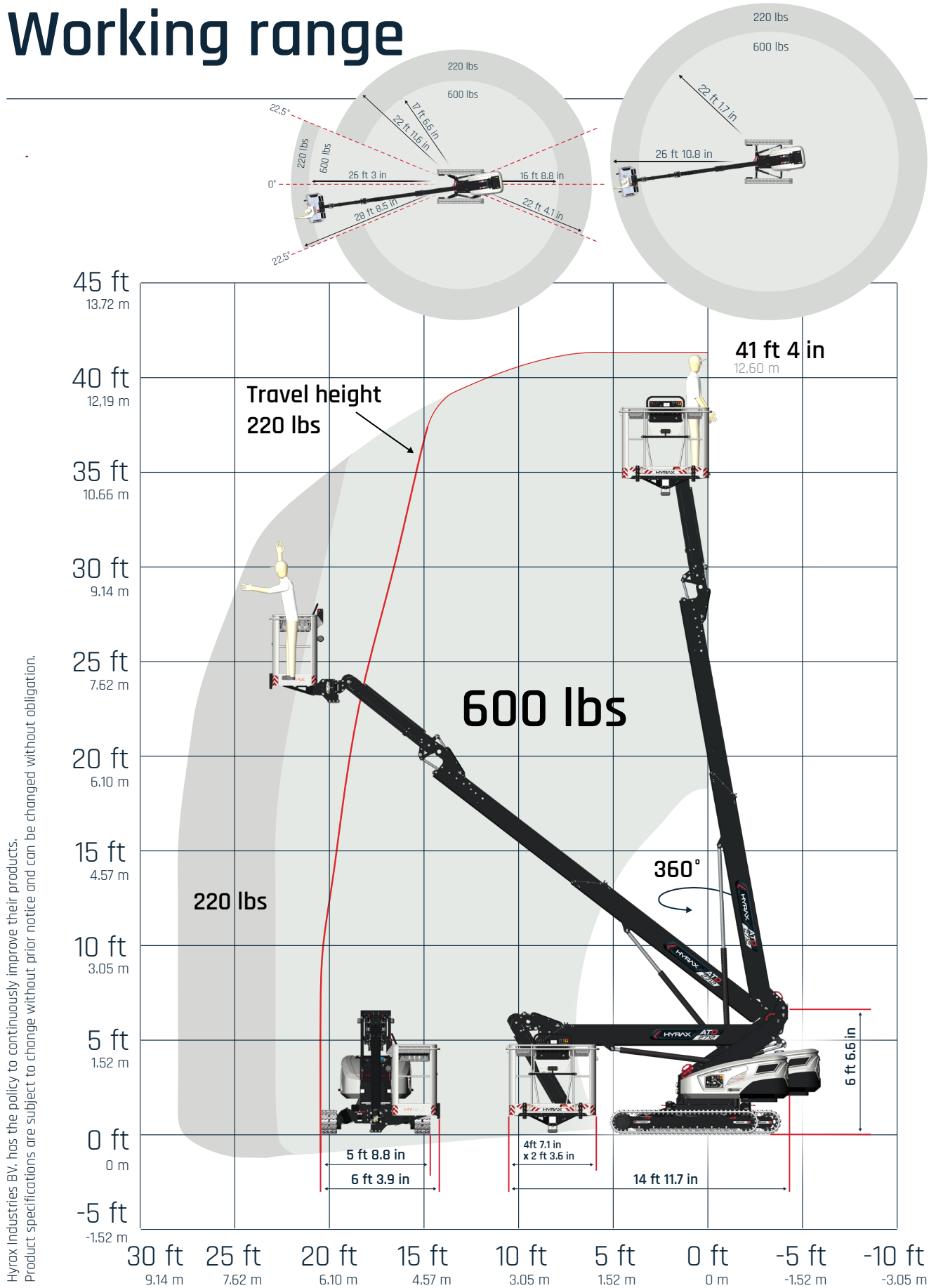
- Lashing and lifting points - Hyrax Red
 - Engine covers - signal white RAL 9003
 - All construction parts - black/grey RAL 7021
 - Work platform - aluminum
- Custom color configurations possible

Extra options

Foldable load carriers on platform (154 lbs)
Extra screw trays
Holder for spray cans
Adjustable work lights on platform
Water level holder in platform
Pail hanger in platform
Solar panel installation basket incl. load carriers and clamps

Diagrams

Working range



Hyrax Industries BV, has the policy to continuously improve their products. Product specifications are subject to change without prior notice and can be changed without obligation.

Model 27.41

The rebel

www.hyraxindustries.com



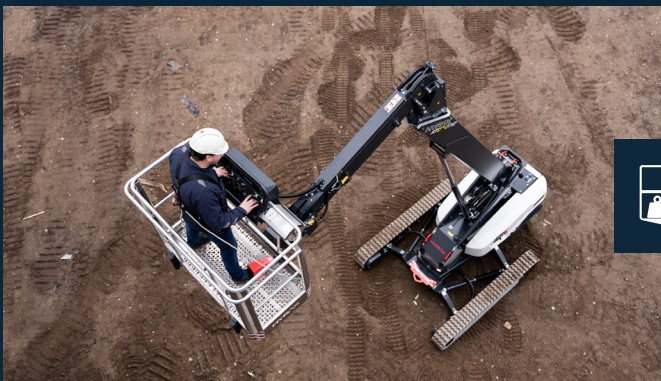
Behind the van

Flexibility: take your HYRAX on a trailer.



Always leveled

Thanks to automatic leveling, you can work on slopes up to 15° and drive at full height.



Working load 600 lbs

Do more! Two men in the platform plus 154 lbs of material.



Higher and further

Achieve more! 41 ft 4 in working-height and 28 ft 8.5 in meters outreach.

HYRAX
AERIAL LIFTS

Pushing the limit >>>>