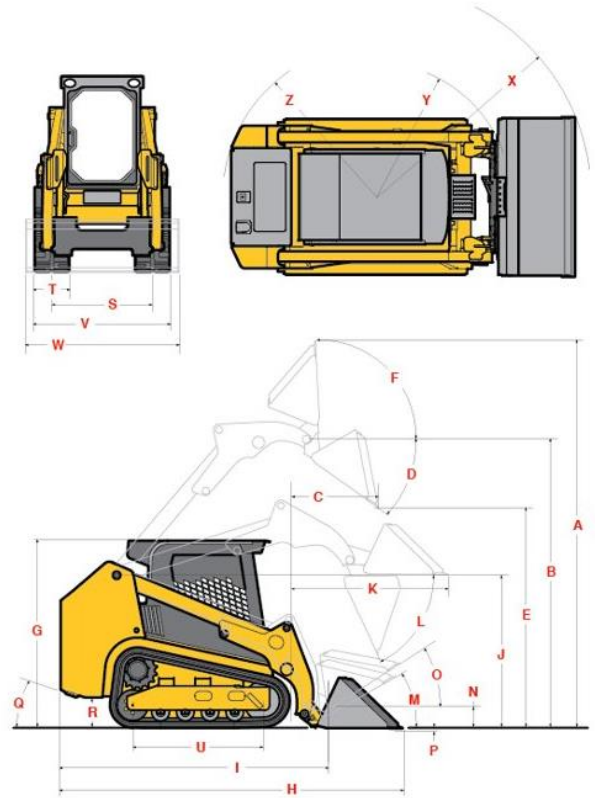


Gehl VT230 Track Loader

Specifications (standard)

Dimensions

A Overall Operating Height - Fully Raised	169"	4293 mm
B Height to Hinge Pin - Fully Raised	130.0"	3302 mm
C Reach - Fully Raised	40.4"	1036 mm
D Dump Angle - Fully Raised	41°	41°
E Dump Height - Fully Raised	99.6"	2530 mm
F Maximum Rollback Angle - Fully Raised	90°	90°
G Overall Height at ROPS	83.1"	2111 mm
H Overall Length with Bucket - Standard Counterweight	159.8"	4059 mm
I Overall Length without Bucket - Standard Counterweight	127.7"	3243 mm
J Specified Height	76.3"	1939 mm
K Reach at Specified Height	29.6"	751 mm
L Dump Angle at Specified Height	67.6°	68°
M Maximum Rollback Angle at Ground	31°	31°
N Carry Position	7.8"	199 mm
O Maximum Rollback Angle at Carry Position	31°	31°
P Digging Position - Below Ground	+0.74"	19 mm
Q Angle of Departure with Standard Counterweight	24°	23.5°
R Ground Clearance	12.2"	309 mm
S Track Gauge	51.7"	1313 mm
T Track Shoe Width	17.7"	450 mm
U Crawler Base	61.8"	1570 mm
V Overall Width - Less Bucket	69.5"	1766 mm
W Bucket Width	83.9"	2131 mm
X Clearance Radius - Front With Bucket	96.1"	2442 mm
Z Clearance Radius - Rear with Standard Counterweight	73.6"	1870 mm
Maximum Rollback at Specified Height	64.5°	64.5°
Angle of Approach	90°	90°
Grouser Height	1"	25.4 mm



Capacity

Operating Capacity at 35% Tipping Load	3,200 lbs.	1452 kg
Operating Capacity at 50% Tipping Load	4,571 lbs.	2074 kg
Tipping Load	9,143 lbs.	4148 kg
Operating Weight	11,610 lbs.	5267 kg

Engine

Make/Model	Deutz/TD 3.6 EPA Final Tier 4	Deutz/TD 3.6 EPA Final Tier IV
Type	4-Stroke Turbo	4-Stroke Turbo
Displacement/Cylinders	221 cu.in./4	3.6 L/4
Gross Power @ rpm	114 hp @ 2300	85 kW @ 2300
Net Power @ rpm	108 hp @ 2300	80.8 kW @ 2300
Peak Torque @ rpm	339 ft.-lbs. @ 1600	460 Nm @ 1600
Oil Pump Capacity	9 qts.	9 L
Alternator Voltage/Amperage	14V/95A	14V/95A

Track Drives

Drawbar Pull/Tractive Effort	12,770 lbs.	5792 kg
Track Type/Track Rollers/Roller Type	Rubber/5/Steel	Rubber/5/Steel
Track Width	17.7"	450 mm
Ground Pressure	5.3 psi	0.37 bar

Forces

Bucket Breakout - Tilt Cylinder	9,901 lbs.	4492 kg
Bucket Breakout - Lift Cylinder	7,491 lbs.	3398 kg
Ground Speed - Single Speed	5.3 mph	8.6 km/hr
Ground Speed - Two Speed	7.8 mph	12.6 km/hr

Volume

Fuel Tank	32.5 gal.	123 L
Hydraulic Reservoir Tank	9.9 gal.	38 L
Coolant Capacity	5.1 gal.	19.3 L

Hydraulics

Auxiliary Hydraulic Flow - Rated Speed	27 gpm	102.2 L/min
High-Flow Hydraulic Flow - Rated Speed	37.4 gpm	141.6 L/min
Transmission Pump Type	Axial Piston	Axial Piston
Motor Type	Radial Piston w/ Planetary Gear	Radial Piston w/ Planetary Gear

Electronic System

Battery Volts	12V	12V
Cold Cranking Amps at Temperature	950 CCA @ 0°F	950 CCA @ -18°C