

BILJAX 3632T TOWABLE BOOM LIFT



TRAILER-MOUNTED BOOMS

TECHNICAL DATA

3632T

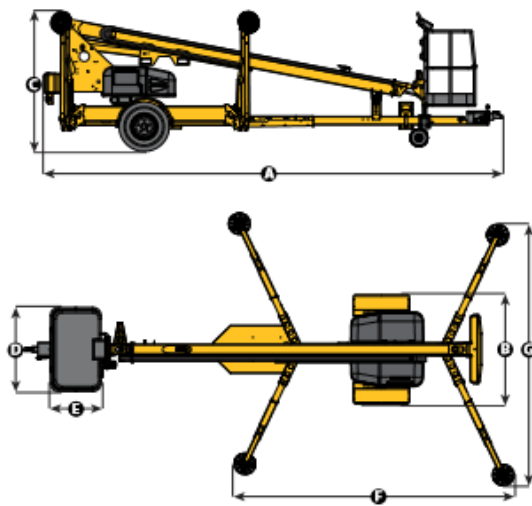
Working height	43 ft 6 in
Platform height	37 ft 6 in
Horizontal outreach (from centerline)	32 ft
Horizontal outreach (from edge of footpad)	27 ft
Up and over height	N/A
Lift capacity	500 lb
A - Length - stowed	21 ft 11 in
B - Width stowed	5 ft 6 in
C - Height stowed	6 ft 5 in
D x E - Platform size	4 ft x 2 ft 6 in
F x G - Outrigger footprint	12 ft 4 in x 11 ft 4 in
Turntable rotation	700° non-continuous
Tow speed rating	65 mph
Gradeability	12.5%
Leveling capability	12.5°
Tire size	ST 225/75 R15D
Power source	4 x 6 V 245 amp-hr
Tongue weight (no options)	200 lb
Weight (no options)	4,440 lb

STANDARD EQUIPMENT

- Hydraulic outriggers
- Tilt alarm/sensor
- Hour meter and battery condition indicator
- Automatic leveling system and self-leveling platform
- 110V GFI protected outlet to platform and base
- Easy to use controls
- Air and water line to platform
- Inboard 40 amp charger
- Integrated forklift pockets
- Hydraulic surge brakes

OPTIONS & ACCESSORIES

- Material lifting hook
- Spare tire and mounting kit
- DC / Gas hybrid
- Platform rotator (manual)
- Flashing beacon
- Flourescent tube caddy
- Combination hitch
- Tool tray



3632T

