

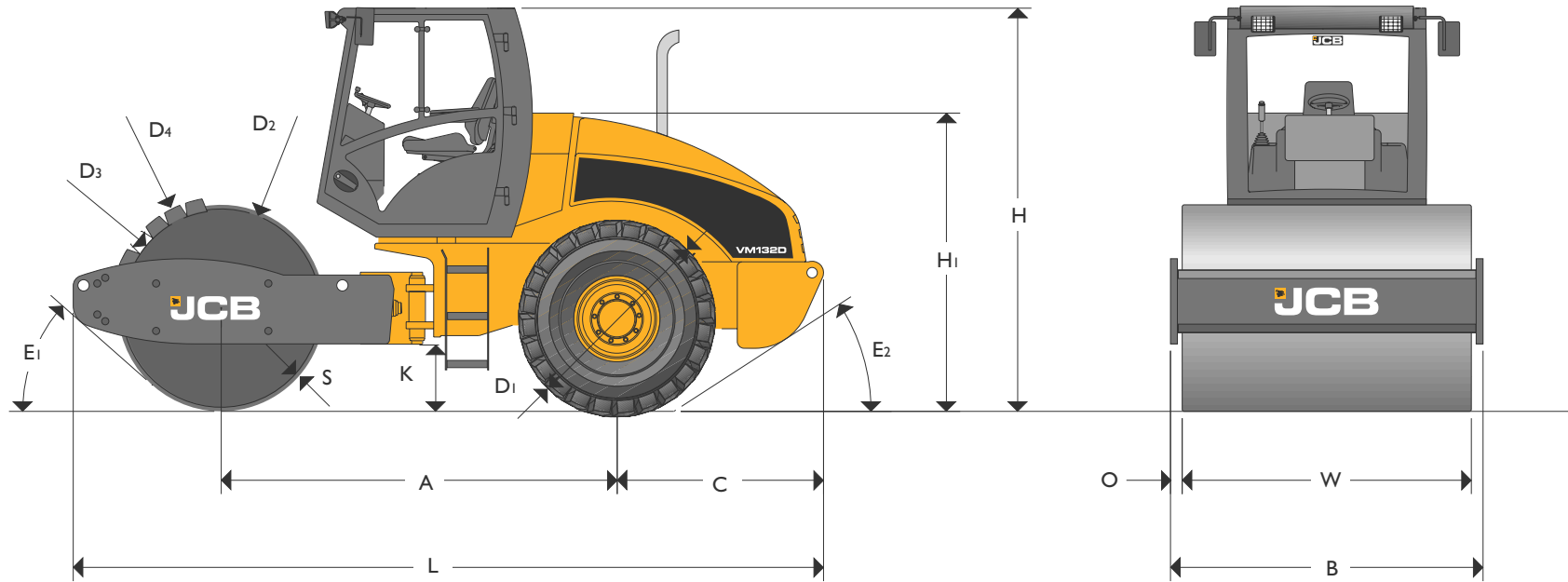


**Single Drum Soil Compactor**









## STATIC DIMENSIONS

Dimensions in inches	VM75	VM115	VM132	VM166	VM200
A Wheelbase	99	112	117.9	117.9	121.1
B Overall width	73.6	88.5	89.4	89.4	89.4
C Axle to rear face	57.9	60	65	65	65.3
D1 Wheel diameter	51.1	59.8	59.8	59.8	59.8
D2 Drum diameter (smooth drum)	48	59.1	59.1	59.1	63
D3 Inner diameter padfoot drum	44.8	55.1	55.1	55.1	55.1
D4 Outer diameter padfoot drum	51.2	63	63	63	63
H Total travel clearance	112	115.6	115.6	115.6	117.5
H1 Height to top of seat	81.4	86	85	85	88.3
K Ground clearance	15	17.6	17.6	17.6	19.6
L Total travel length	192.4	214.3	225.2	225.2	236.1
O Overhang	2.4	3	3.3	3.3	3.3
S Drum thickness	1	1	1	1	1
W Drum width	68.9	82.7	82.7	82.7	82.7
E1 Front departure angle	40°	41°	41°	36°	35°
E2 Rear departure angle	28°	32°	29°	29°	29°



OPERATING DATA

		VM75D		VM75PD		VM115D		VM115PD		VM115HD		VM115HPD	
Operating weight	lb	7660		7320		11090		11380		11720		11770	
Operating axle load front / rear	lb	3590 / 4070		3650 / 3670		5580 / 5510		6215 / 5165		6285 / 5435			
Operating linear load front	lb/in	20.5				26.6				29.9			
Vibration stage		1	2	1	2	1	2	1	2	1	2	1	2
Exciter frequency	vpm	1740	2160	1740	2160	1860	2160	1860	2160	1860	2160	1860	2160
Nominal amplitude	in	.08	.03	.08	.03	.08	.04	.08	.04	.08	.04	.08	.04
Centrifugal force	lbf	31024	18884	35070	21582	58675	36664	63396	39566	58675	36664	63396	39566
Centrifugal force / drum width	ft/lb	582	354	657	405	917	572	991	618	917	572	991	618
Compaction depth up to	in	24	20	30	24	35	28	39	32	35	28	39	32
Working speed (forward/reverse) max.	mph	4.29		4.29		2.8		2.8		2.8		2.8	
Travel speed (forward/reverse) max.	mph	6.84		6.84		6.52		6.52		6.52/7.77		6.52/7.77	
Steering lock angle	degrees	±28		±28		±35		±35		±35		±35	
Vertical oscillation	degrees	±15		±15		±15		±15		±15		±15	
Inner turning radius	in	117		117		134		134		134		134	
Tires		14.9 - 24 / 6PR AWT		14.9 - 24 Dyna Torque II		23.1 - 26 / 8 PRAWT		23.1 - 26 / 12 Tractor Tire Tread		23.1 - 26 / 8 PR AWT		23.1 - 26 / 8 PR Dyna Torque II	
Number of padfeet				100				132				132	
Height of padfoot	in			3.1				3.9				3.9	
Gradeability up to	degrees (%)	31 (60)		33 (65)		31 (60)		33 (65)		31 (60)		33 (65)	

OPERATING DATA

		VM132D		VM132PD		VM166D		VM166PD		VM200D		VM200PD	
Operating weight	lb	26125		28021		34216		34506		40852		40499	
Operating axle load front / rear	lb	14242/11883		16270/11751		21231/12985		22333/13073		25133/15719		24317/16182	
Operating linear load front	lb/in	172				257				304			
Vibration stage		1	2	1	2	1	2	1	2	1	2	1	2
Exciter frequency	vpm	1740	2160	1740	2160	1740	2100	1740	2100	1740	2100	1740	2100
Nominal amplitude	in	.08	.03	.08	.03	.07	.03	.07	.03	.08	.03	.08	.03
Centrifugal force	lbf	63396	39117	68567	42264	67667	43838	72164	46760	83179	46086	83179	46086
Centrifugal force / drum width	ft/lb	991	611	1071	660	1057	685	1128	730	1300	720	1300	720
Compaction depth up to	in	39	31	43	35	51	39	55	43	57	39	61	43
Working speed (forward/reverse) max.	mph	4.78		4.78		4.54		4.54		4.72		4.72	
Travel speed (forward/reverse) max.	mph	7.89		7.89		7.08		7.08		7.33		7.33	
Steering lock angle	degrees	±35		±35		±35		±35		±35		±35	
Vertical oscillation	degrees	±15		±15		±15		±15		±15		±15	
Inner turning radius	in	142		142		142		142		142		142	
Tires		23.1 - 26 / 8 PR AWT		23.1 - 26 / 12 Tractor Tire Tread		23.1 - 26 / 8 PRAWT		23.1 - 26 / 8 PR Dyna Torque II		23.1 - 26 / 8 PR AWT		23.1 - 26 / 8 PR Dyna Torque II	
Number of padfeet				132				132				132	
Height of padfoot	in			3.9				3.9				3.9	
Gradeability up to	degrees (%)	31 (60)		33 (65)		32 (62)		33 (65)		24 (45)		24 (45)	

**ENGINE**

Four/six-cylinder, water-cooled, turbo-charged diesel engine.

Model		VM75	VM115		VM132		VM166		VM200	
		Tier 3	Tier 2	Tier 3	Tier 2	Tier 3	Tier 2	Tier 3	Tier 2	Tier 3
Make		JCB	JCB	JCB	Cummins	JCB	Cummins	Cummins	Cummins	Cummins
Model		444	444	444TCA	B 5.9 - 150C	444TCA	B 5.9 - 173C	QSB6.7	B 5.9 - 150C	QSB6.7
Piston displacement	in <sup>3</sup>	268	268	268	359	268	359	409	359	409
Performance – DIN 6271	kW (hp)	63 (84)	93 (125)	97 (130)	112 (150)	108 (145)	129 (173)		129 (173)	
Operating speed	min <sup>-1</sup> (rpm)	2200 (2200)	2200 (2200)		2200 (2200)		2200 (2200)		2200 (2200)	
Starting device		Electric motor	Electric motor		Electric motor		Electric motor		Electric motor	
Air cleaner		Dry cartridge with safety cartridge	Dry cartridge with safety cartridge		Dry cartridge with safety cartridge		Dry cartridge with safety cartridge		Dry cartridge with safety cartridge	
Fuel filter		Cartridge	Cartridge		Cartridge		Cartridge		Cartridge	

**SERVICE CAPACITIES**

Model		VM75	VM115/VM115H	VM132	VM166	VM200
Fuel	gallons	61	79.2	105.7	105.7	84.5
Engine oil (engine)	gallons	2.1	3.7	3.8	3.8	3.8
Gear oil (exciter)	gallons	0.79	0.92	3.2	3.2	3.2
Hydraulic oil	gallons	21.1	21.1	21.1	21.1	21.1
Coolant	gallons	3.7	3.7	5	5	5

**PROPULSION**

Infinitely variable hydrostatic direct drive by variable displacement motor on rear axle and drum, Multidisc self-locking differential (NoSPIN).

**EXCITER DRIVE**

Electrically controlled hydrostatic direct drive on drum.

**EXCITER**

Single-shaft circular exciter with overturning weights.

**STEERING SYSTEM**

Servo assisted center articulation with vertical oscillation.

**BRAKING SYSTEM**

- Service brake:** Hydrostatic propulsion system.
- Parking brake:** Hydraulically released multi-disk brake on rear axle and drum drive.
- Emergency brake:** Electrically controlled, disk brake on rear axle and drum drive.

**ELECTRICAL SYSTEM**

Voltage	V	12
Battery capacity	Ah	143
Alternator	A	max. 95

**INDICATORS AND SWITCHES**

Hour meter, fuel, engine temperature, engine oil pressure, battery charging current, hydraulic oil and air filter condition, parking brake, neutral position control lever, speed range selection, frequency, AVC (Automatic Vibration Control), acoustic back-up alarm. Optional lighting, turn signal, hazard-warning lights.

**OPTIONS**

High comfort ROPS/FOPS certified cabin, ROPS frame, working lights, road traffic lights, yellow rotating beacon, adapter for turning seat, several homologation kits, padfoot shell kits (3 segments) with scraper, plyurethane scrapers, levelling blades, tachograph, tractor and diamond pattern tread spare wheels, tool bags, COMPATRONIC, COMPATRONIC TP, COMPATRONIC PRO, COMPATRONIC PRO, COMPATRONIC GPS, anti-vandalism cover for dashboard, heating, aircondition, FOPS roof for ROPS frame, canopy, air precleaner.

COMPACTED LAYER THICKNESS UP TO... (in)

Machine	Weight (lbs)	Rock	Sand / Gravel	Mixed soil	Clay / Loam
VM75D	16887*	—	20	16	5.9
VM115D	24449*	35	23	20	7.9
VM132D	26125*	39	28	23	9.8
VM166D	34216*	51	39	28	13.8
VM200D	40852*	57	47	31	15.7

COMPACTED OUTPUT... (in<sup>3</sup>/min)

Machine	Weight (lbs)	Rock	Sand / Gravel	Mixed soil	Clay / Loam
VM75D	16887*	—	.21 - .47	.16 - .32	.06 - .12
VM115D	24449*	.45 - .90	.29 - .59	.25 - .49	.10 - .20
VM132D	26125*	.50 - 1	.34 - .69	.29 - .59	.13 - .25
VM166D	34216*	.65 - 1.3	.50 - 1	.35 - .71	.18 - .35
VM200D	40852*	.73 - 1.5	.60 - 1.2	.40 - .80	.20 - .40



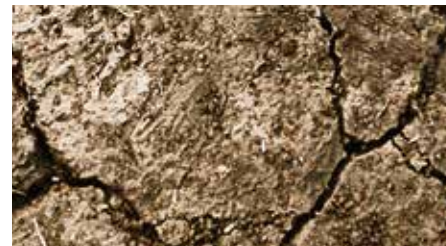
Rock



Sand / Gravel



Mixed Soil



Clay / Loam

**Assumption and Notes:**

The achieved compaction and productivity values will vary with exact material composition and moisture content. In critical applications these values should always be verified by physical measurement. Laboratory soil test should always be carried out to assess the soil structure & strength for compaction.

Weights- CECE with ROPS<sup>†</sup> or Cab<sup>\*</sup>

Working Width: 82.7 in with 7.9 in overlap of paths

Working speed: 2362 in/min (= 1.9 mph)

Compaction Output speed: 75 % of working speed = 1.4 mph

Compaction Output: assumes 80% of maximum layer thickness stated in upper table

Compaction Output: Number of passes are 4...8



COMPACTED LAYER THICKNESS UP TO... (in)

Machine	Weight (lbs)	Rock	Sand / Gravel	Mixed soil	Clay / Loam
VM75PD	16138*	—	20	16	7.9
VM115PD	25089*	35	23	20	9.8
VM132PD	28021*	39	28	23	11.8
VM166PD	35406*	51	39	28	15.7
VM200PD	40499*	57	47	31	17.7

COMPACTED OUTPUT... (in<sup>3</sup>/min)

Machine	Weight (lbs)	Rock	Sand / Gravel	Mixed soil	Clay / Loam
VM75PD	16138*	—	.21 - .47	.16 - .32	.08 - .16
VM115PD	25089*	.45 - .90	.29 - .59	.25 - .49	.13 - .25
VM132PD	28021*	.50 - 1	.34 - .69	.29 - .59	.15 - .30
VM166PD	35406*	.65 - 1.3	.50 - 1	.35 - .71	.20 - .40
VM200PD	40499*	.73 - 1.5	.60 - 1.2	.40 - .80	.23 - .45



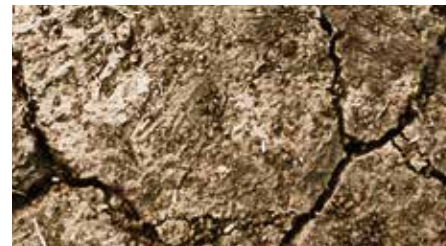
Rock



Sand / Gravel



Mixed Soil



Clay / Loam



**Assumption and Notes:**

The achieved compaction and productivity values will vary with exact material composition and moisture content. In critical applications these values should always be verified by physical measurement. Laboratory soil test should always be carried out to assess the soil structure & strength for compaction.

Weights- CECE with ROPS† or Cab\*

Working Width: 82.7 in with 7.9 in overlap of paths

Working speed: 2362 in/min (= 1.9 mph)

Compaction Output speed: 75 % of working speed = 1.4 mph

Compaction Output: assumes 80% of maximum layer thickness stated in upper table

Compaction Output: Number of passes are 4....8