

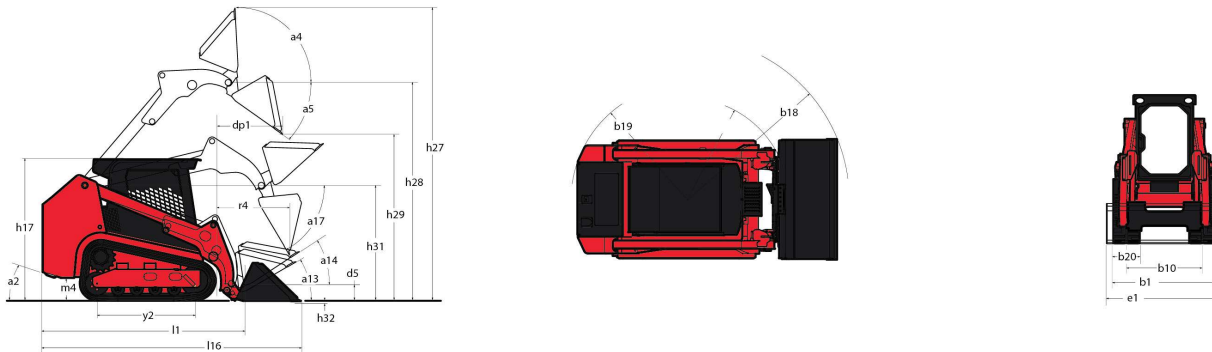
Technical sheet :

1350 RT



Capacities		Metric	Imperial
Max. capacity	Q	1750 kg	3858 lbs
Operating Weight		2953 kg	6510 lbs
Operating Capacity at 35% Tipping Load		612 kg	1349 lbs
Operating Capacity At 50% Tipping Load		875 kg	1929 lbs
Tipping capacity		1750 kg	3858 lbs
Weight and dimensions			
Overall Operating Height - Fully Raised	h27	3670 mm	144.488 in
Height to Hinge Pin - Fully Raised	h28	2794 mm	110 in
Reach - Fully Raised	dp1	592 mm	23.307 in
Dump angle at full height	a5	40 °	40 °
Dump Height - Fully Raised	h29	2123 mm	83.583 in
Maximum Rollback Angle - Fully Raised	a4	98 °	98 °
Overall Height to Top of Rops	h17	1930 mm	75.984 in
Overall length with bucket	l16	3076 mm	121.102 in
Overall Length without Bucket	l1	2360 mm	92.913 in
Specified Height	h31	1494 mm	58.819 in
Reach at Specified Height	r4	771 mm	30.354 in
Dump angle at specified height	a17	75 °	75 °
Maximum Rollback Angle at Ground	a13	28 °	28 °
Carry Position	d5	165 mm	6.496 in
Maximum Rollback Angle at Carry Position	a14	28 °	28 °
Digging Position	h32	18 mm	0.709 in
Angle of Departure with STD Counterweight		28 °	28 °
Ground clearance	m4	213 mm	8.386 in
Track gauge	b10	1148 mm	45.197 in
Track Shoe Width	b20	300 mm	11.811 in
Crawler base	y2	1168 mm	45.984 in
Overall width less bucket	b1	1448 mm	57.008 in
Bucket Width	e1	1524 mm	60 in
Clearance Radius - Front with Bucket		1918 mm	75.512 in
Clearance Circle - Rear	wa1	1440 mm	56.693 in
Track Type / Track Rollers / Roller Type		Rubber / 4 / Steel	Rubber / 4 / Steel
Performances			
Ground Speed - Single Speed		10 km/h	6.2 mph
Drawbar Pull/Tractive Effort		3248 kg	7161 lbs
Bucket Breakout - Tilt Cylinder		1588 kg	3501 lbs
Bucket Breakout - Lift Cylinder		1692 kg	3730 lbs
Engine			
Engine brand		Yanmar	Yanmar
Engine model		4TNV88C-KMS	4TNV88C-KMS
Motor Type		Radial Piston	Radial Piston
Gross Power (kW) / Gross Power		34.3 kW / 2500 tr/min	34.3 kW / 2500 tr/min
Battery		12 V	12 V
Cold Cranking Amps at Temperature (CCA)		800	800
Alternator - Voltage / Ampere		12 V / 100 A	12 V / 100 A
Hydraulics			
Auxiliary hydraulics		63.6 l/min	63.6 l/min
Tank capacities			
Oil Pan Capacity		6.40 l	1.41 gal
Hydraulic tank capacity		34.80 l	7.65 gal
Fuel tank		59.40 l	13.07 gal
Displacement / Number of cylinders		7.90 l / 4	1.74 gal / 4

Dimensional drawing



Equipment

Selectable Self-Leveling Hydraulic Lift Action 4	Optional
Lifting function	
All-Tach® Attachment Mounting System	Standard
Auxiliary Hydraulics	Standard
IdealTrax™ Automatic Track Tensioning System	Standard
Lighting	
Beacon	Optional
Road Lights	Optional
Motorization/Power	
Combination Radiator & Hydraulic Oil Cooler	Standard
Dual-Element Air Cleaner with Indicator	Standard
Engine Auto-Shutdown System	Optional
Engine Block Heater	Optional
Glowplugs Starts Assist	Standard
Operator station	
Bluetooth car radio	Optional
Foot Throttle	Standard
Full-Suspension Seat	Optional
Joystick controls	Standard
Multi-Function Function Display Screen	Standard
ROPS/FOPS Level II Overhead Guard	Standard
Sliding Side Windows	Optional
Swing-out Cab Door	Optional
Pneumatics	
Rubber Track Undercarriage System	Standard
Safety	
4 point lift	Optional
Anti-Vandalism Protection	Standard
Back-Up Alarm	Standard
Engine Alert System with Error Display	Standard
Mechanical Lift Cylinder Lock	Standard
Secondary functions	
Counterweight	Optional
Dedicated Undercarriage	Standard