

R190 Skid Loader

Height to Hinge Pin - Fully Raised (mm): 120.5" (3061)

Rated Operating Capacity (kg): 1,900 lbs. (862)

Gross Power (kW): 69.3 hp (51.7)

[BROCHURE](#)

[FIND A DEALER](#)

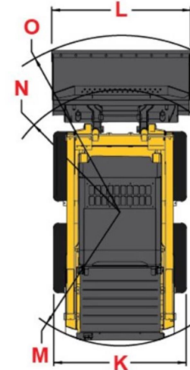
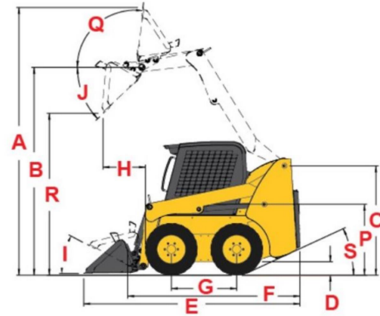
[REQUEST MORE INFO](#)



Specifications (standard)

Dimensions

A	Overall Operating Height - Fully Raised	158"
B	Height to Hinge Pin - Fully Raised	120.5"
C	Overall Height to Top of ROPS	80"
D	Ground Clearance to Chassis	6.5"
E	Overall Length with Bucket	127" with 66" Bucket
F	Overall Length without Bucket	94"
G	Wheelbase	42"
H	Dump Reach - Fully Raised	22.5"
I	Rollback at Ground	26°
J	Dump Angle	42°
K	Overall Width	66.5"/64.5" ^A
L	Bucket Width	66"
M	Clearance Circle - Rear	58.5"
N	Clearance Circle - Front without Bucket	44.5"
O	Clearance Circle - Front with Bucket	79"
P	Seat to Ground Height	39"
Q	Rollback at Specified Height	96°
R	Dump Height	91"
S	Departure Angle	25°
Standard Specification Tire Size		10.00 x 16.5 HD



Engine Electrical System

Make	Yanmar	Battery	12-volt
Model	4TNV98C-NMS Tier IV/Stage 3B	Starter	12-volt
Gross Power @ 2500 rpm	69.3 hp	Alternator	95-amp
Net Power @ 2500 rpm	68.4 hp	Capacities/Weights	
Maximum Torque	173 ft.-lbs @ 1625	Rated Operating Capacity ^B	1,900 lbs.
Displacement	202.6 cu.in.	Rated Operating Capacity with Optional Counterweight ^B	2,110 lbs.

Hydraulic System

Auxiliary Hydraulics - Standard	70 L/min	Fuel Tank	62.5 L
High-Flow Auxiliary Hydraulics - Option (L/min)	119 L/min	Travel Speed - Maximum	12.1 km/hr
Reservoir Capacity (L)	30.3 L	Travel Speed with Two-Speed Option - Maximum	20.1 km/hr
		Operating Weight ^C - Approximate	6,880 lbs.

A - Narrow width with off-set wheel option

B - Per SAE J818, SAE J732, and ISO 14397

C - Weight of base unit with standard equipment, standard tires (heavy-duty flotation), standard dirt-construction bucket and 175 lb. operator.