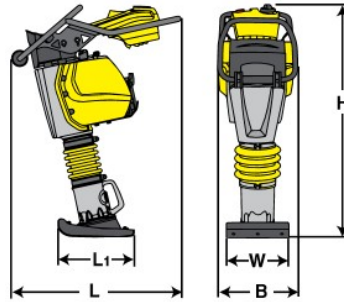


# Technical Specifications

## BT60 BT65 BVT65

Shipping dimensions  
in cubic feet (m<sup>3</sup>)

BT60 19.3 (0.547)



### Dimensions in inches

	B	H	L	L <sub>1</sub>	W
BT60	13.8	37.4 - 40.6	28.6	13.2	11

### Technical data

BOMAG  
BT60

### Weights

Basic weight	lbs (kg)	125 (57)
Operating weight	lbs (kg)	128 (58)

### Driving characteristics (depending on site conditions)

Working speed max	ft/min (m/min)	66 (20)
-------------------	----------------	---------

### Drive

Engine manufacturer	Honda
Type	GX 100 (4-cycle)

Fuel	gasoline	
Number of cylinders	1	
Performance ISO 9249	hp (kW)	3.4 (2.3)
Speed	rpm	4200
Starting device	recoil	
Fuel consumption max	gal/h (l/h)	0.2 (0.8)

### Vibratory System

Drive system	mechanic	
Frequency	bpm (Hz)	705 (10 - 11.8)
Impact force	lbs (kN)	3372 (15)

### Capacities

Fuel	gal (l)	0.8 (3)
------	---------	---------

Technical modifications reserved. Machine may be shown with options.



### Standard Equipment

- 3-2-1 Warranty
- Reliable Honda 4-stroke engine
- Engine protection covers and guards
- Recoil starter with integral guard
- Splash oil lubrication
- Low engine oil alert
- Diaphragm carburetor
- Acceleration pump
- Hour / Tachometer with integrated service indicator (BT60, BT65)
- Corrosion-free plastic fuel tank
- Centrifugal clutch
- Infinitely variable frequency
- Vibration isolated steering handle
- Ergonomic height adjustable handle
- Easy access shut-down switch (fuel & engine combined)
- Dual air filter system (BT60, BT65)
- Single air filter system (BVT65)
- Self cleaning air filter housing
- Dual fuel filter system
- Polyethylene shoe with steel wear plate

### Optional Equipment

- Transport wheels
- Interchangeable Shoe Kits 6", 9", 11", 13"
- 15" Tall Tamper Foot Extension Kits 4" or 6" shoe widths
- Hour / Tachometer with integrated service indicator (BVT65)
- Service kit



BVT65 - Easy access shut down



BT60, BT65 - Easy access shut down